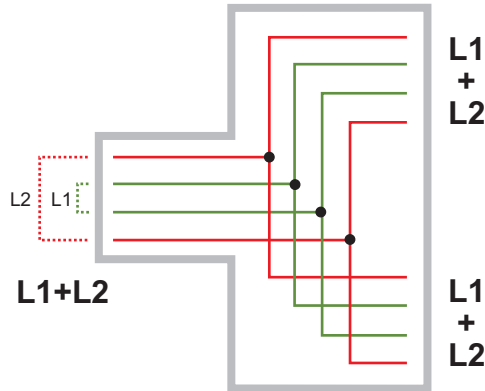


# Modular Duplicators vs Splitters

- Standard 4-conductor phone cords can carry either 1 or 2 phone lines.
- A phone jack from the wall or a modem can provide either 1 or 2 phone lines.
- If a modular connector is not clearly labeled, it is a Duplicator.

**2 Port Duplicator**  
(Ports not Marked)

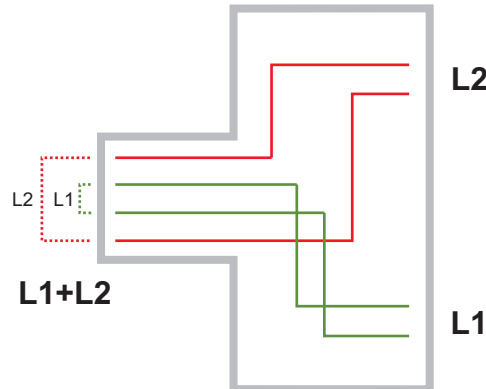


Duplicators plugged into a phone jack will produce two identical outputs.

When a phone jack provides one active line, a duplicator produces 2 identical, single line outputs.

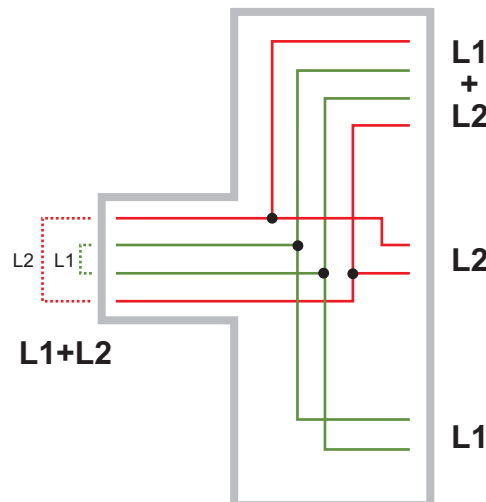
When a phone jack provides two active lines, a duplicator produces 2 identical, two line outputs.

**2 Port Splitter**  
(Ports clearly marked)



Splitters plugged into a phone jack will separate a two-line phone jack (L1 + L2) into two separate, single line outputs: Line 1 and Line 2.

**3 Port Splitter**  
(Ports clearly marked)



3 Port splitters plugged into a phone jack separate a two-line phone jack (L1 + L2) into two separate, single line outputs (L1 and L2) plus one additional combined output, L1 + L2.

3 Port splitters are routinely used with Whozz Calling? Basic devices since the Basic units accept only single line inputs.